



此画册仅供参考，具体参数请以实物为准，
本公司对数据保留最终解释权，
数据如有变动恕不另行通知。

This album is only for reference,
specific parameters please in kind
prevail, our company reserves the
right of data, data are subject to
change without prior notice.



技术创造精品 质量决定信誉

www.gaodachina.com

圆锥破碎机

Cone Crusher

上海高达机器有限公司
Shanghai golden machinery Co., LTD.

上海市浦东新区合庆凌白公路1280号
No.1280 Ling Bai Road, He Qing Town,
Pu Dong New District, Shanghai, China

国际市场部: 021-58559008 传真: 021-58550566

碎石制砂部: 021-38921328 传真: 021-38860218

磨粉机部: 021-38921518 传真: 021-38860218

售后服务部: 021-58550968

邮箱: golden@gaodachina.com

邮编: 201210



圆锥破碎机工作原理:

圆锥破碎机在运转时,电动机的旋转通过皮带轮、联轴器、圆锥破碎机传动轴,把动力传递到动锥上,使动锥旋转,让圆锥的破碎壁时而靠近又时而离开固装在调整套上的轧臼壁,矿石在破碎腔内不断受到冲击,挤压和弯曲作用而实现矿石的破碎。动力通过圆锥齿轮驱动偏心套转动,使破碎锥作旋摆运动。破碎锥时而靠近又时而离开固定锥,完成破碎和排料。支撑套与架体连接处靠弹簧压紧,当破碎机内落入金属块等不可破碎物体时,弹簧即产生压缩变形,排出异物,实现保险,防止机器损坏。圆锥破碎机在不可破异物通过破碎腔或因某种原因机器超载时,圆锥破碎机弹簧保险系统实现保险,圆锥破碎机排矿口增大。异物从圆锥破碎机破碎腔排出,如异物卡在排矿口可使用清腔系统,使排矿口继续增大,使异物排出圆锥破碎机破碎腔。圆锥破碎机在弹簧的作用下,排矿口自动复位,机器恢复正常工作。圆锥式破碎机破碎腔表面铺有耐磨高锰钢衬板,排矿口大小采用液压或手动进行调整。

When cone crusher is running,the motor drives power to vibration cone by belt wheel,coupling and the vibrating shaft,which makes cone crushing wall closer or apart from the mortar rolled on the adjusting bush. The materials in the crushing chamber achieves crushed by many impacting,pressing and beading.The power drives the crushing cone to run by cone wheel which drives the eccentric bush.The crushing cone closer and apart from the fixed cone from time to time,finishes the crushing and discharging process.The spring between the supporting bush and the frame will beads and discharges the dust to protect the motor.other than some ones could not be broken.In this way,If some materials which could not be broken will be stucked at the discharging opening,It will be increased much bigger to make the materials discharged.The crushing chamber of the cone crusher be made of wear resistant steel plate,and easy to auto adjustment the discharging opening size.

Applicability

The cone crusher is widely used in fields of metallurgy,building materials,high road, chemical industry and silic and so on.and suitable for kinds of mining stone

圆锥破碎机的用途:

圆锥破碎机广泛应用在冶金、建材、筑路、化工与硅酸工业中,适用于破碎中等和中等以上硬度的各种矿石和岩石。

圆锥破碎机 Cone Crusher



圆锥破碎机



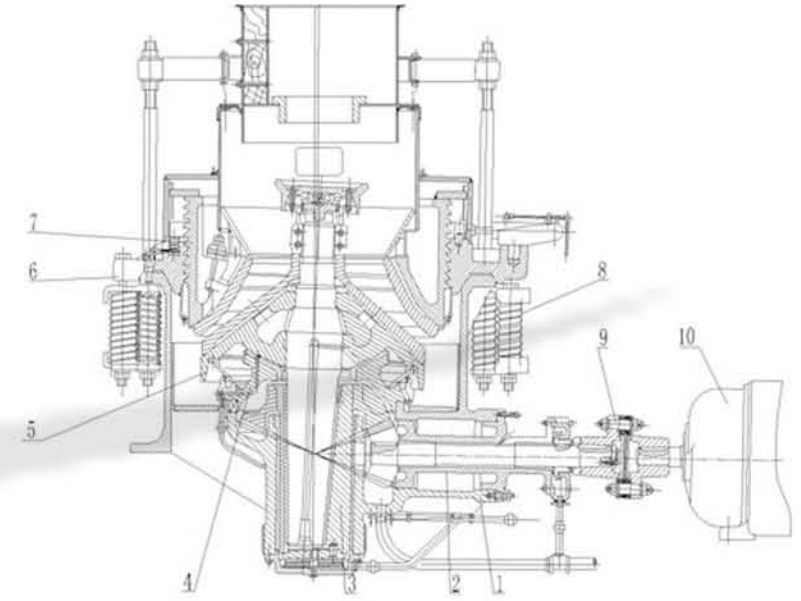
圆锥破碎机的特点:

- 圆锥破碎机结构紧凑, 生产效率高, 采用碗形轴承具有较高的精度储备, 并采用集中稀油润滑系统, 当需要调整排料口大小时可启动液压站通过推动缸进行调整, 当不能破碎物料进入破碎腔时, 弹簧安全装置能保护设备不受破坏。
- 圆锥式破碎机采用润滑脂密封方式, 可避免因操作不当引起水油混合的现象, 当密封件磨损, 由于弹簧的作用, 可自动补偿, 仍然使密封件贴合, 继续起到密封功能, 当密封件磨损约为1/4-1/3原厚度时, 就必须调换密封件。
- 维修方便, 维护成本低, 是中、细碎环节的最佳配套设备。

Features and benifites

- The cone crusher has features of tight structure, efficient product, adopts bowl type shaft with high precision reserve, and focus lubrication system, easy adjustment and the spring can protect the all the equipment.
- The cone crusher can avoid the moisture mixed with the oil, and the spring can make up for the airproof, when the airproof wear out about 1/4-1/3, must to exchange the airproof in time.
- Easy and low cost maintenance, it is the best choice of middle and fine crushing process.

圆锥破碎机 Cone Crusher



- | | | | |
|----------|-------------------------|----------|---------------------|
| 1. 机架部 | Body frame | 6. 调整装置部 | Adjusting equipment |
| 2. 传动部 | Driving parts | 7. 调整套部 | Adjustment bushing |
| 3. 偏心套部 | Eccentric bushing parts | 8. 弹簧部 | Spring |
| 4. 碗形轴承部 | Bowl-shaped bearing | 9. 联轴器 | Coupling |
| 5. 破碎圆锥部 | Crushing cone | 10. 电动机 | Electric motor |

圆锥破碎机技术参数:

Technical parameters

型号	破碎头底部直径 (毫米)	最大进料粒度 (毫米)	出料调整范围 (毫米)	破碎产量 (吨/小时)	电机功率 (千瓦)	偏心轴转速 (转/分钟)	重量 (吨)	外形尺寸 长x宽x高 (毫米)
Model	Diameter (mm)	Max feed Size (mm)	Output Range (mm)	Output (t/h)	Power of motor (kw)	Speed eccentric shaft (r/min)	Weight (t)	Overall dimensions (L x W x H) (mm)
PYB600	600	75	12-25	20-40	30	356	5	2234×1370×1675
PYB600	600	40	2-13	12-23	30	356	5.5	2234×1370×1675
PYB900	900	115	15-50	50-90	55	333	11.2	2690×1640×2350
PYZ900	900	60	5-20	20-65	55	333	11.2	2690×1640×2350
PYD900	900	50	3-13	15-50	55	333	11.3	2690×1640×2350
PYB1200	1200	145	20-50	110-168	110	300	24.7	2790×1878×2844
PYZ1200	1200	100	8-25	42-135	110	300	25	2790×1878×2844
PYD1200	1200	50	3-15	18-105	110	300	25.3	2790×1878×2844
PYB1750	1750	215	25-50	280-480	160	245	50.3	3910×2894×3809
PYZ1750	1750	185	10-30	115-320	160	245	50.3	3910×2894×3809
PYD1750	1750	85	5-13	75-230	160	245	50.2	3910×2894×3809
PYB2200	2200	300	30-60	490-750	260-280	220	80	4620×3302×4470
PYZ2200	2200	230	10-30	200-580	260-280	220	80	4620×3302×4470
PYD2200	2200	100	5-15	120-340	260-280	220	81.4	4620×3302×4470

技术参数如有变动, 恕不另行通知

Note: The specifications are subject to change without prior notice.



售后服务 After-sales service

- 1、保证为用户提供良好的售前、售后服务，为用户在订购前介绍产品性能及使用要求，提供有关资料，当好用户参谋。
- 2、用户需求进行技术培训，对重点用户进行质量跟踪、用户访问，及时根据用户需求改进产品性能，不断提高产品质量。
- 3、保证兑现产品“三包”，产品在“三包”期内确属产品质量问题，严格履行合同中规定的赔偿责任。
- 4、超过“三包”期限的产品，保证提供维修配件并根据用户需求做好维修服务工作。
- 5、对于产品的配件和易损件以出厂价优惠提供。
- 6、接到用户要求解决产品在使用中出现的问题通知后，本公司在1小时内作出初步响应，重大问题24小时到达现场。
- 7、需要技术服务的将派专业技术服务人员参加开箱验收和指导安装、调试工作，直到设备正常运转。如有必要公司免费为客户培训技术人员，让客户掌握设备的使用、维护和简单修理技术。在生产过程中一旦设备出现故障，公司在接到客户电话后的24小时内必须拿出明确的解决方案，并将以先恢复生产再追究责任的态度迅速解决问题。

- 1.Ensure to provide good pre-sale or after-sale service, the recommendation, operating requirements and other information of our productions for all of our clients before orders, as a good adviser.
- 2.Offer technology training for the clients' requirements, quality scout service for the emphases clients, interview, improving production features and continuous improving production quality.
- 3.Ensure to check production "three guarantees", if our production have quality issues during the times. we will strict to check the contract compensation liability.
- 4.Outlast the times we will offer maintenance service on the clients' requirements, and offer the maintenance parts in time.
- 5.Offer the parts and the quick-wear parts according to the factory favourable price.
- 6.We will response the clients who have the operating issues in the operating process in an hour, specially important issues we will rush to the scene during 24 hours.
- 7.Offer the specialty technology workers to check and guide setting, debugging, till the equipment do normal running. even we can offer free technology training for the clients' requiements in necessary, let our clients in control of the using, maintenance and easy repair technology, while clients have issues in the operating process we will make the specific plan in 24 hours and resolve the issues with a responsible attitude