



此画册仅供参考，具体参数请以实物为准，
本公司对数据保留最终解释权，
数据如有变动恕不另行通知。

This album is only for reference,
specific parameters please in kind
prevail, our company reserves the
right of data, data are subject to
change without prior notice.



技术创造精品 质量决定信誉

www.gaodachina.com

振动给料机

Vibrating Feeder

上海高达机器有限公司
Shanghai golden machinery Co., LTD.
上海市浦东新区合庆凌白公路1280号
No.1280 Ling Bai Road, He Qing Town,
Pu Dong New District, Shanghai, China
国际市场部: 021-58559008 传真: 021-58550566
碎石制砂部: 021-38921328 传真: 021-38860218
磨粉机部: 021-38921518 传真: 021-38860218
售后服务部: 021-58550968
邮箱: golden@gaodachina.com
邮编: 201210



振动给料机

Vibrating Feeder

本公司生产的振动给料机分为激振式振动给料机与直线式振动给料机两种。激振式给料机系列采用两台激振式电机，用户可自由调整给料机的振动频率，从而控制后料的喂料速度，振动给料机在生产过程中，用于把块状、粉状物料从料仓或漏斗中均匀连续的给到受料设备中，从而实现生产流程的自动控制。可向带式输送机、一级破碎、筛分设备等给料。

Vibrating Feeder

Our vibrating feeders are divided into exciting vibrating feeder and linear vibrating feeder. The exciting vibrating feeder series is using two exciting motors, Users can adjusted the feeder vibrating rate for require, so that control the feeding speed of the stone. During the production, Vibrating feeder is used to evenly continuously send the pieces or power materials from hopper to receiving equipment, so that make production flow achieve automation to feed the belt conveyor, first crush and collection equipment.

振动给料机的性能特点:

结构简单，喂料均匀，连续性能好，激振力可调；随时改变和控制喂料量，操作方便；偏心轴或振动电机为激振源，噪音低，耗电少，调节性能好，无冲料现象；振动平稳、工作可靠、寿命长。

Features and benefites

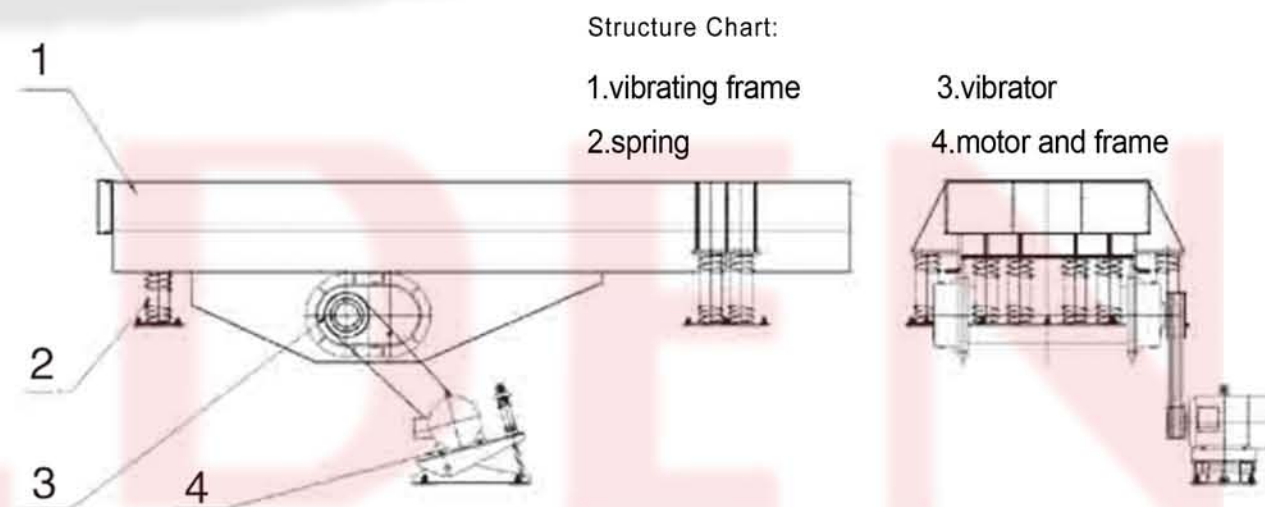
Easy structure, feed evenly, good continuity, easy adjust, require adjust the feed, easy operation, low noises, low power consumption, stable and long service life.

振动给料机的用途:

广泛用于冶金、煤矿、选矿、建材、化工等行业的破碎、筛分联合设备中。

Applicability

Widely used in metallurgy, coal mine, milling, building materials, chemical industry, ect. crush and collection combination plant.

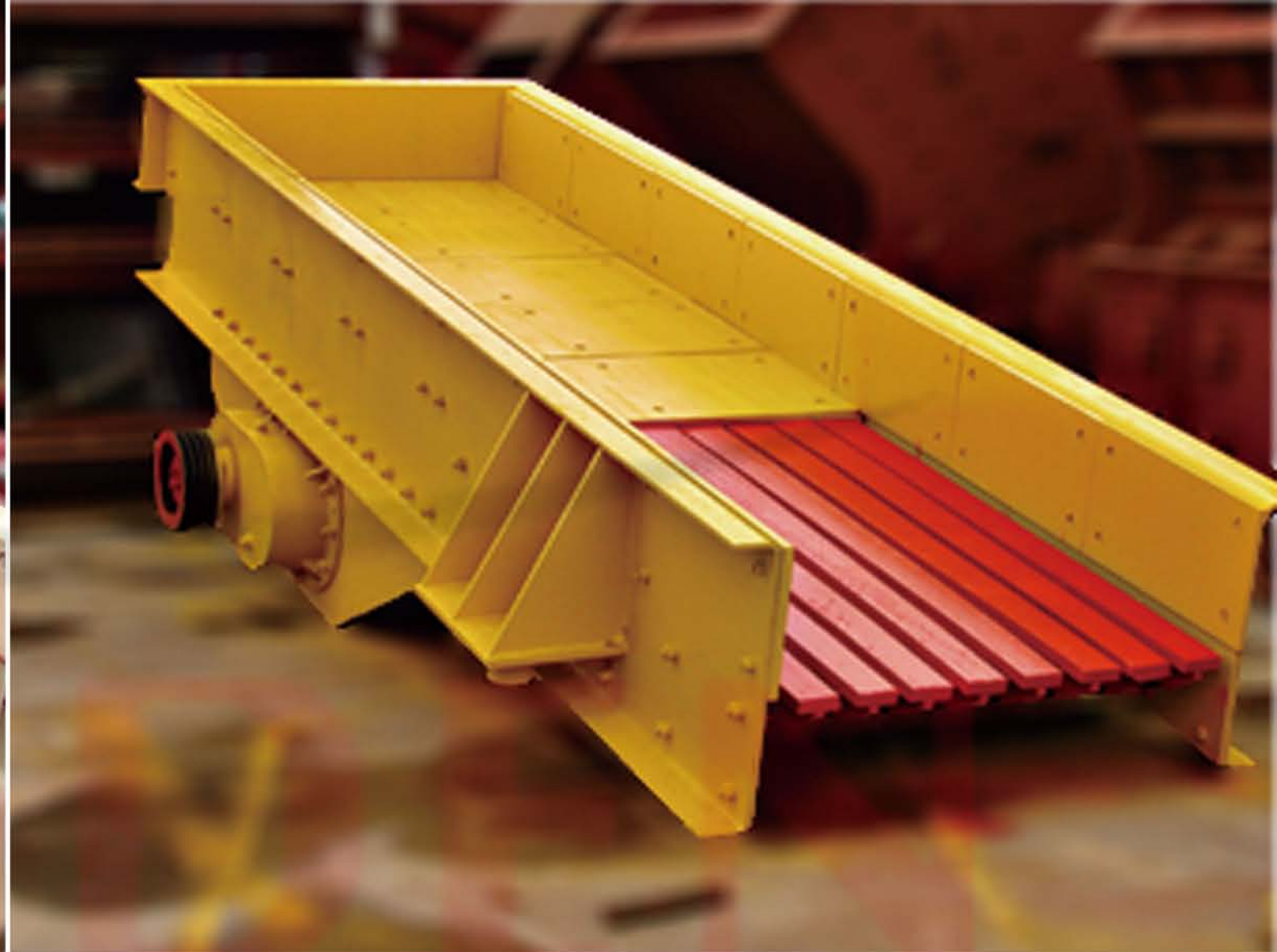
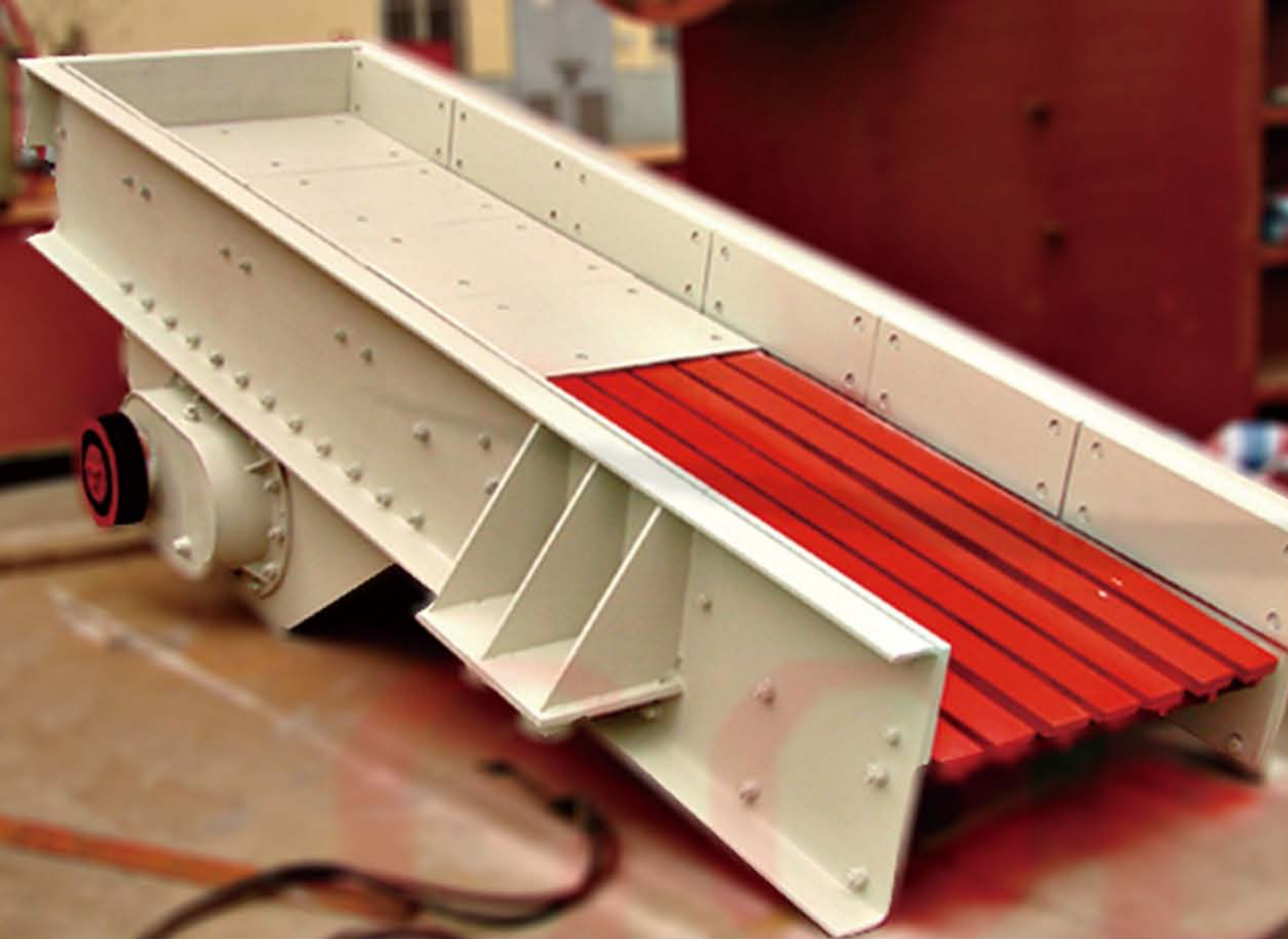


技术参数

Technical parameters

型号	料槽尺寸 (毫米)	最大进料粒度 (毫米)	偏心轴转速 (转/分钟)	处理能力 (吨/小时)	电动机型号	电动机功率 (千瓦)	电动机数量	重量 (吨)	机器外形尺寸 (长X宽X高)
Model	Hopper size (mm)	Max feed size (mm)	Speed (r/min)	Processing capacity (t/h)	Motor model	Motor power (kw)	Motor NO.	Weight (t)	Overall dimensions (L x W x H)
GZD-180×80	1800×800	300		30-80	YZ0-20-6	1.5×2	2	0.8	2200×1100×800
GZD-220×120	2200×1200	300		80-220	YZ0-30-6	2.2×2	2	1.59	2200×1200×855
GZD-300×90	3000×900	300		40-100	YZ0-30-6	2.2×2	2	1.5	3050×1430×1550
GSW-380×96	3800×960	500	500-714	90-200	Y180L-6	11	1	3.98	3882×2224×2121
GSW-420×110	4200×1100	580	500-800	150-350	Y180L-6	15	1	5.0	4250×2500×1365
GSW-490×110	4900×1100	580	500-800	180-380	Y180L-6	15	1	5.32	5100×2500×1365
GSW-490×130	4900×1300	720	500-800	200-300	Y180L-6	22	1	5.9	4960×2580×1870
GSW-600×130	6000×1300	750	500-800	450-800	Y180L-6	30	1	7.8	6150×2580×2083

注：技术参数如有变动，恕不另行通知。Note: The specifications are subject to change without prior notice.



售后服务 After-sales service

- 1、保证为用户提供良好的售前、售后服务，为用户在订购前介绍产品性能及使用要求，提供有关资料，当好用户参谋。
- 2、用户需求进行技术培训，对重点用户进行质量跟踪、用户访问，及时根据用户需求改进产品性能，不断提高产品质量。
- 3、保证兑现产品“三包”，产品在“三包”期内确属产品质量问题，严格履行合同中规定的赔偿责任。
- 4、超过“三包”期限的产品，保证提供维修配件并根据用户需求做好维修服务工作。
- 5、对于产品的配件和易损件以出厂价优惠提供。
- 6、接到用户要求解决产品在使用中出现的问题通知后，本公司在1小时内作出初步响应，重大问题24小时到达现场。
- 7、需要技术服务的将派专业技术服务人员参加开箱验收和指导安装、调试工作，直到设备正常运转。如有必要公司免费为客户培训技术人员，让客户掌握设备的使用、维护和简单修理技术。在生产过程中一旦设备出现故障，公司在接到客户电话后的24小时内必须拿出明确的解决方案，并将以先恢复生产再追究责任的态度迅速解决问题。

- 1.Ensure to provide good pre-sale or after-sale service, the recommendation,operating requirements and other information of our productions for all of our clients before orders,as a good adviser.
- 2.Offer technology training for the clients' requirements,quality scout service for the emphases clients,interview,improving production features and continuous improving production quality.
- 3.Ensure to check production "three guarantees",if our production have quality issues during the times.we will strict to check the contract compensation liability.
- 4.Outlast the times we will offer maintenance service on the clients' requirements,and offer the maintenance parts in time.
- 5.Offer the parts and the quick-wear parts according to the factory favourable price.
- 6.We will response the clients who have the operating issues in the operating process in an hour,specially important issues we will rush to the scene during 24 hours.
- 7.Offer the specialty technology workers to check and guide setting,debugging,till the equipment do normal running.even we can offer free technology training for the clients' requiemnts in necessary,let our clients in control of the using,maintenance and easy repair technology,while clients have issues in the operating process we will make the specific plan in 24 hours and resolve the issues with a responsible attitude