



此画册仅供参考，具体参数请以实物为准，
本公司对数据保留最终解释权，
数据如有变动恕不另行通知。

This album is only for reference,
specific parameters please in kind
prevail, our company reserves the
right of data, data are subject to
change without prior notice.



技术创造精品 质量决定信誉

www.gaodachina.com

高效圆锥破碎机

Efficient Cone Crusher

上海高达机器有限公司
Shanghai golden machinery Co., LTD.
上海市浦东新区合庆凌白公路1280号
No.1280 Ling Bai Road, He Qing Town,
Pu Dong New District, Shanghai, China
国际市场部: 021-58559008 传真: 021-58550566
碎石制砂部: 021-38921328 传真: 021-38860218
磨粉机部: 021-38921518 传真: 021-38860218
售后服务部: 021-58550968
邮箱: golden@gaodachina.com
邮编: 201210



高效圆锥破碎机

Efficient Cone Crusher



高效圆锥破工作原理：

高效圆锥破碎机在运转时，由电动机通过三角带、大带轮、传动轴、锥齿轮带动偏心套旋转，圆锥破轴心线在偏心轴套的迫动下做旋转摆动，使得破碎壁与轧臼壁表面时而靠近，时而分开，从而使物料在定锥与动锥组成的环形破碎腔内不断地受到冲击、挤压和弯曲而破碎。经过多次挤压、冲击和弯曲后，物料破碎至要求粒度，经排料口排出。

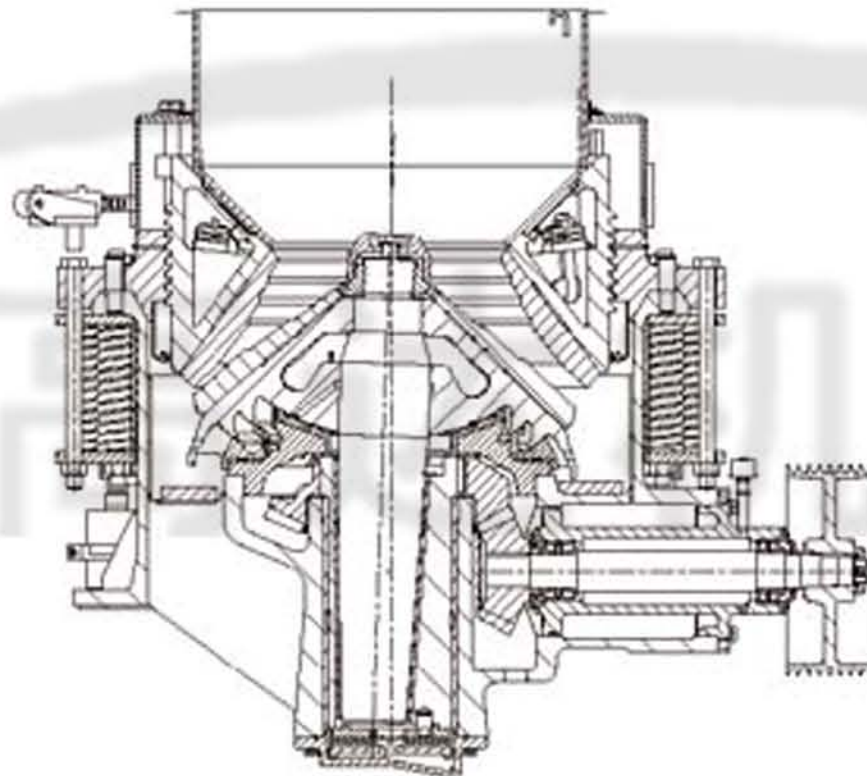
When the efficient cone crusher is running, the eccentric shaft bush is driven by the V-belt, big belt wheel, vibrating shaft and cone wheel. the crushing wall and mortar rolled surface will be closer or apart from each other, with the crusher shaft axis moving around by the eccentric shaft bush drives. So that the materials in the ring crushing chamber will be crushed by striking, pressing and bending. The final production will be discharged through the discharging opening at the end, by many times pressing, impacting and bending.

高效圆锥破碎机的性能与特点：

高效圆锥破碎机是我公司在弹簧圆锥破技术的基础上，吸收国外技术，大胆改进创新的又一成果。根据客户的需求，基于层压破碎原理及多破少磨概念设计研发的集高摆频、优化腔型和冲程合理的现代高效圆锥破碎机。可广泛应用于金属与非金属矿、水泥厂、建筑、砂石冶金等行业。适用于铁矿石、有色金属矿石、花岗岩、石灰石、石英岩、沙岩、鹅卵石等。

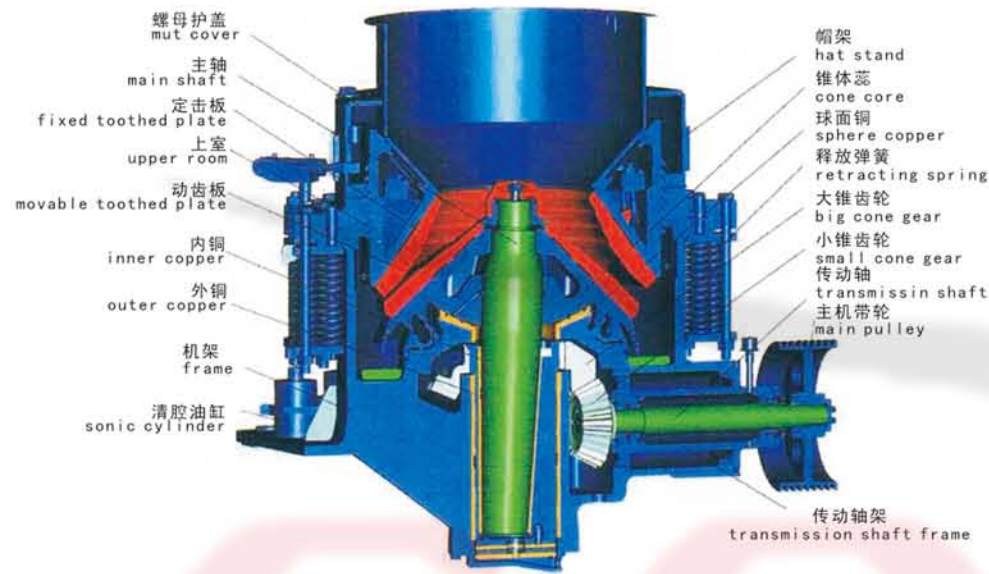
This efficient cone crusher is a new production on the basis of the spring cone crusher and absorbed the abroad technology, it is modern efficient cone crusher on the principle of crushing role and according of the client's requirement, and it has the features of high product, good final product fineness, stable and easy cleaning chamber, easy maintenance and operate, low operating cost and so on. Applicability

This series of cone crushers can be widely used in metallurgy mining, concrete, building materials and sandstone industry. suitable for ore mineral, moorstone, limestone, quartzite, sandstone and cobblestone.



高效圆锥破碎机

Efficient Cone Crusher



高效圆锥破碎机特点:

- 1、产能高、产品粒度组成好、稳定性好、清腔方便、可靠性高、维修方便、易于操作、生产成本低、应用广泛

Efficient Cone Crusher

- 1, high capacity, particle size composition, good stability, easy clear cavity, high reliability, easy maintenance, easy to operate, low production cost, widely

高效圆锥破碎机的主要技术参数:

Technical parameters

规格	最大给料尺寸 (毫米)	最小排料口尺寸 (毫米)	电机功率 (千瓦)	处理能力(吨/小时)Capacity (t/h) 闭边排料口(毫米)Discharging opening mm										重量 (千克)
				6	10	13	16	19	22	25	38	51	64	
GXC1000	160	13	90-110				80	100	135	150	175	235		10800
	115	10	90-110		65	75	90	120	135	150				10800
	80	8	90-110	52	62	72	78	115						10510
	50	6	90-110	50	55	65	70	102						10510
GXC1160	180	13	110-132				115	135	150	180	200	260		15500
	130	10	110-132		100	110	120	135	165	175				15500
	90	10	110-132		80	105	110	140						15500
	60	6	110-132	60	74	105	110	130						15500
GXC1300	220	19-15	132-160				150	180	200	230	310	390		22300
	210	16-38	132-160				115	140	160	190	210			22300
	115	13-31	132-160		90	115	145	160						22300
	70	8-16	132-160		88	110	135	155						22300
GXC1380	215	19	185-220					200	220	260	350	440		26300
	160	16	185-220					155	180	200	220			26300
	115	13	185-220				150	190	210	230				26300
	76	8	185-220		122	148	185	200						26300
GXC1500	235	22	185-220						265	310	420	525	580	37750
	175	19	185-220					215	240	265	320			37750
	130	13	185-220			180	210	235	255	275				37750
	90	10	185-220		148	178	200	220						37750
GXC1680	267	22	250-300						330	390	525	655	725	44300
	203	16	250-300				230	270	300	330				44300
	140	13	250-300		185	225	265	340						44300
	95	10	250-300		180	220	260	335						44300

注: 技术参数如有变动, 恕不另行通知。 Note: The specifications are subject to change without prior notice.





售后服务 After-sales service

- 1、保证为用户提供良好的售前、售后服务，为用户在订购前介绍产品性能及使用要求，提供有关资料，当好用户参谋。
- 2、用户需求进行技术培训，对重点用户进行质量跟踪、用户访问，及时根据用户需求改进产品性能，不断提高产品质量。
- 3、保证兑现产品“三包”，产品在“三包”期内确属产品质量问题，严格履行合同中规定的赔偿责任。
- 4、超过“三包”期限的产品，保证提供维修配件并根据用户需求做好维修服务工作。
- 5、对于产品的配件和易损件以出厂价优惠提供。
- 6、接到用户要求解决产品在使用中出现的问题通知后，本公司在1小时内作出初步响应，重大问题24小时到达现场。
- 7、需要技术服务的将派专业技术服务人员参加开箱验收和指导安装、调试工作，直到设备正常运转。如有必要公司免费为客户培训技术人员，让客户掌握设备的使用、维护和简单修理技术。在生产过程中一旦设备出现故障，公司在接到客户电话后的24小时内必须拿出明确的解决方案，并将以先恢复生产再追究责任的态度迅速解决问题。

- 1.Ensure to provide good pre-sale or after-sale service, the recommendation, operating requirements and other information of our productions for all of our clients before orders, as a good adviser.
- 2.Offer technology training for the clients' requirements, quality scout service for the emphases clients, interview, improving production features and continuous improving production quality.
- 3.Ensure to check production "three guarantees", if our production have quality issues during the times. we will strict to check the contract compensation liability.
- 4.Outlast the times we will offer maintenance service on the clients' requirements, and offer the maintenance parts in time.
- 5.Offer the parts and the quick-wear parts according to the factory favourable price.
- 6.We will response the clients who have the operating issues in the operating process in an hour, specially important issues we will rush to the scene during 24 hours.
- 7.Offer the specialty technology workers to check and guide setting, debugging, till the equipment do normal running. even we can offer free technology training for the clients' requirements in necessary, let our clients in control of the using, maintenance and easy repair technology, while clients have issues in the operating process we will make the specific plan in 24 hours and resolve the issues with a responsible attitude