



此画册仅供参考，具体参数请以实物为准，
本公司对数据保留最终解释权，
数据如有变动恕不另行通知。

This album is only for reference,
specific parameters please in kind
prevail, our company reserves the
right of data, data are subject to
change without prior notice.



技术创造精品 质量决定信誉

www.gaodachina.com

颚式破碎机

Jaw Crusher

上海高达机器有限公司
Shanghai golden machinery Co., LTD.

上海市浦东新区合庆凌白公路1280号
No.1280 Ling Bai Road, He Qing Town,
Pu Dong New District , Shanghai, China

国际市场部: 021-58559008 传真: 021-58550566

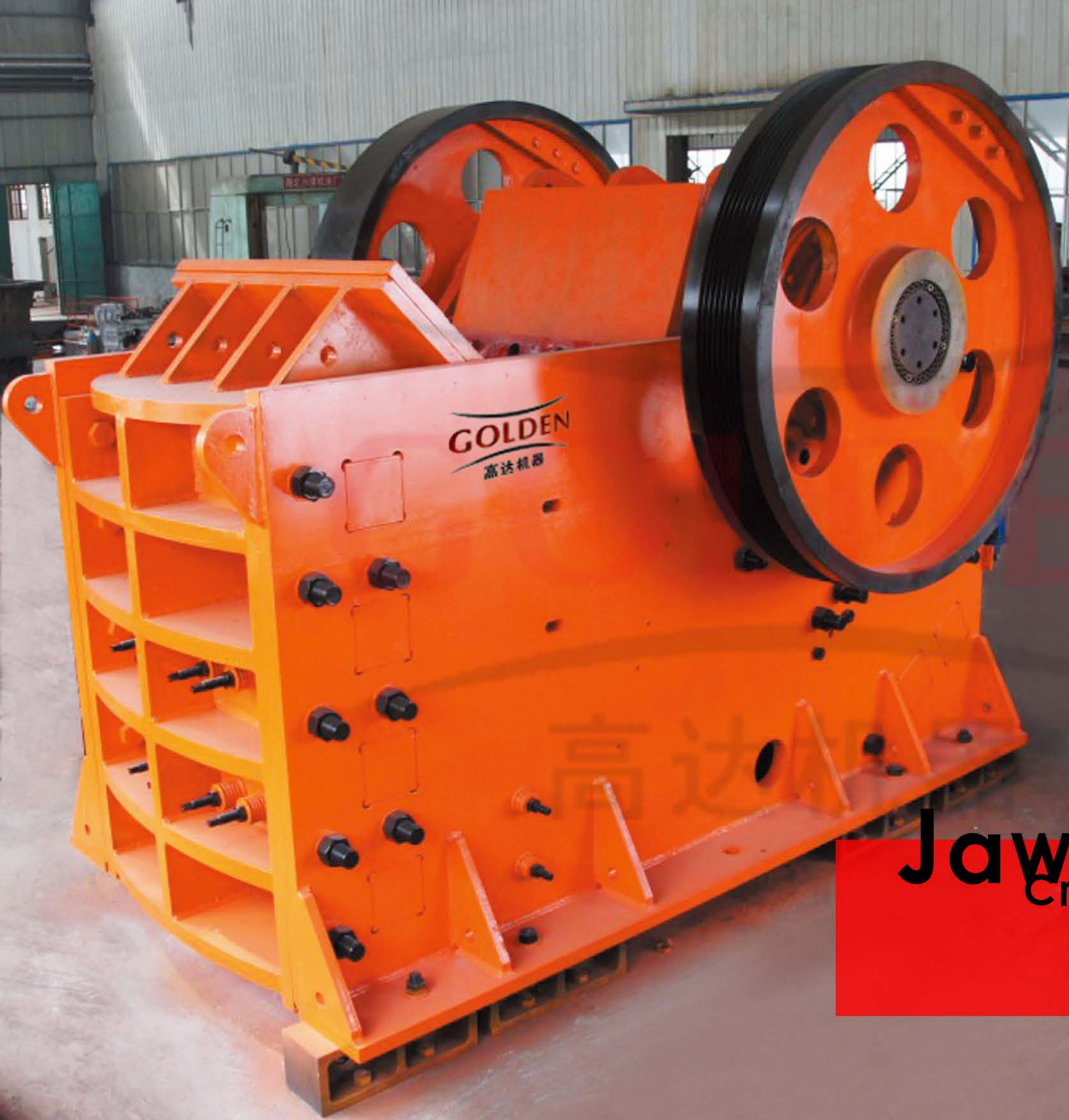
碎石制砂部: 021-38921328 传真: 021-38860218

磨粉机部: 021-38921518 传真: 021-38860218

售后服务部: 021-58550968

邮箱: golden@gaodachina.com

邮编: 201210



颚式破碎机是目前国际上最普遍使用的碎石设备，主要用于各种矿石与
大块物料的中等粒度破碎，被破碎物料的最高抗压强度为320Mpa。我公司
设计和生产大中型颚式破碎机的能力在国内处于绝对领先水平，所研发生产
的大中型颚式破碎机，具有破碎比大、产品粒度均匀、结构简单、工作可靠、
维修简便、运营费用低等特点，可广泛应用于矿山、冶炼、公路、铁路、水
利和化工等众多行业。

Jaw crusher is the most commonly used equipment of rubble, mainly used for all kinds of ores and materials
of the medium size and broken, being broken material
of the highest compressive strength for Mpa. I company
design and production big medium jaw crusher ability in
the domestic leading level in absolute, the
development of the production of the large and
medium-sized jaw crusher crushing machine, with big
crushing ratio, product grain size, simple structure,
reliable operation, easy maintenance, low operating
costs low characteristic, can be widely used in mining,
metallurgy, highway, railway, water conservancy and
chemical industries.

颚式破碎机性能特点：

结构简单、维修使用方便；性能稳定，运营成本低；破碎比大。

Simple structure, maintenance easy to use; Stable
performance and operation cost is low; Big crushing
ratio.

Jaw
Crusher

颚式破碎机

颚式破碎机

Jaw Crusher

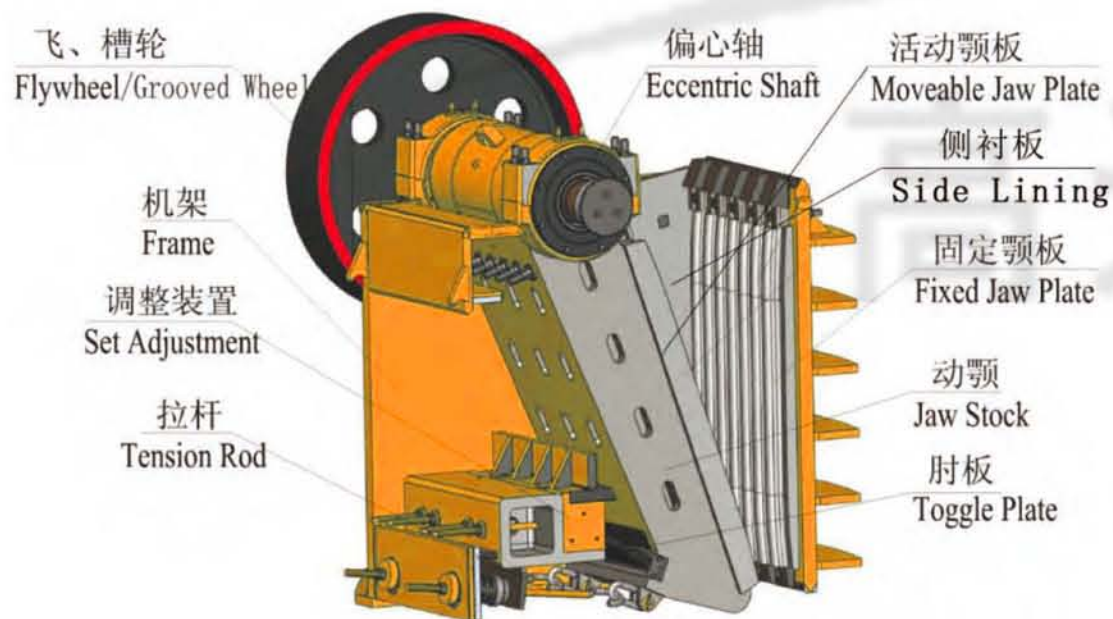
工作原理 Working principle

颚式破碎机是工矿生产中最常用的破碎设备之一，主要用于抗压强度不超过320兆帕的各种物料的中碎、粗碎作业，具有破碎比大、产量高、结构简单、工作可靠、维修简便、运营成本低等特点。颚式破碎机以电机为动力源，通过电动机带轮，由三角带和槽轮驱动偏心轴，使动颚按预定轨迹运动，将进入由固定颚板、活动颚板和边护板组成的破碎腔内的物料进行破碎，并通过下部的排料口将破碎后的物料排出。

Jaw crusher is the most commonly used in industrial production broken one of equipment, mainly for the compressive strength is no more than 320 million mpa of all kinds of material broken, crushing homework, have big crushing ratio, high output, simple structure, reliable operation, easy maintenance, low operating costs low characteristic. Jaw crusher to motor as power source, through the motor belt wheel, and groove by v-belts wheel drive partiality axis, make the move as scheduled jaw trajectory, will enter the fixed jaw plate, activity jaw plate and edge guard board consisting of the materials in the crushing cavity are broken, and through the mouth after discharging will break the material to discharge.



颚式破碎机主要技术参数
Jaw crusher main technical parameters



型号	进料口尺寸 (mm)	最大进料粒度 (mm)	排料口调整范围 (mm)	偏心轴转速 (r/min)	产量 (t/h)	电机功率 (kw)	外形尺寸 (mm)	重量 (T)
PE-150×250	150×250	125	10-40	300	1-5	5.5	875×758×850	0.81
PE-250×400	250×400	210	20-60	300	5-20	15	1450×1315×1296	2.8
PE-250×750	250×750	210	26-60	300	8-22	22	1670×1550×1020	4.9
PE-400×600	400×600	340	40-100	275	16×65	30	1565×1732×1586	6.5
PE-500×750	500×750	425	50-100	275	40×100	55	1890×1916×1870	10.1
PE-600×900	600×900	500	65-160	250	50-120	75	2310×1840×2250	15.5
PE-750×1060	750×1060	630	80-140	250	52-180	110	2450×2472×2840	28
PE-900×1200	900×1200	750	95-165	200	140-260	110	3335×3182×3025	51
PE-1000×1200	1000×1200	850	195-265	200	230-380	132	3890×2830×3030	57
PE-1200×1500	1200×1500	1020	150-300	200	300-600	160	4280×3323×3500	100.9
PEX-250×1000	250×1000	210	25-60	330	16-52	30-37	1530×1992×1380	6.5
PEX-250×1200	250×1200	210	25-60	330	20-60	37	1900×2192×1430	7.7
PEX-300×1300	300×1300	250	20-105	330	20-90	75	2720×1950×1600	11

注：技术参数如有变动，恕不另行通知。 Note: technical parameters such as are subject to change without notice.



售后服务 After-sales service

- 1、保证为用户提供良好的售前、售后服务，为用户在订购前介绍产品性能及使用要求，提供有关资料，当好用户参谋。
- 2、用户需求进行技术培训，对重点用户进行质量跟踪、用户访问，及时根据用户需求改进产品性能，不断提高产品质量。
- 3、保证兑现产品“三包”，产品在“三包”期内确属产品质量问题，严格履行合同中规定的赔偿责任。
- 4、超过“三包”期限的产品，保证提供维修配件并根据用户需求做好维修服务工作。
- 5、对于产品的配件和易损件以出厂价优惠提供。
- 6、接到用户要求解决产品在使用中出现的问题通知后，本公司在1小时内作出初步响应，重大问题24小时到达现场。
- 7、需要技术服务的将派专业技术服务人员参加开箱验收和指导安装、调试工作，直到设备正常运转。如有必要公司免费为客户培训技术人员，让客户掌握设备的使用、维护和简单修理技术。在生产过程中一旦设备出现故障，公司在接到客户电话后的24小时内必须拿出明确的解决方案，并将以先恢复生产再追究责任的态度迅速解决问题。

- 1.Ensure to provide good pre-sale or after-sale service, the recommendation, operating requirements and other information of our productions for all of our clients before orders, as a good adviser.
- 2.Offer technology training for the clients' requirements, quality scout service for the emphases clients, interview, improving production features and continuous improving production quality.
- 3.Ensure to check production "three guarantees", if our production have quality issues during the times. we will strict to check the contract compensation liability.
- 4.Outlast the times we will offer maintenance service on the clients' requirements, and offer the maintenance parts in time.
- 5.Offer the parts and the quick-wear parts according to the factory favourable price.
- 6.We will response the clients who have the operating issues in the operating process in an hour, specially important issues we will rush to the scene during 24 hours.
- 7.Offer the specialty technology workers to check and guide setting, debugging, till the equipment do normal running. even we can offer free technology training for the clients' requirements in necessary, let our clients in control of the using, maintenance and easy repair technology, while clients have issues in the operating process we will make the specific plan in 24 hours and resolve the issues with a responsible attitude